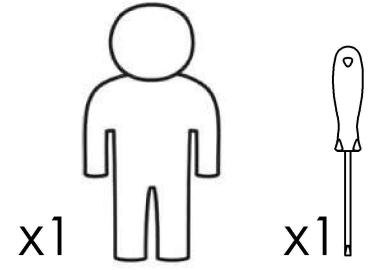
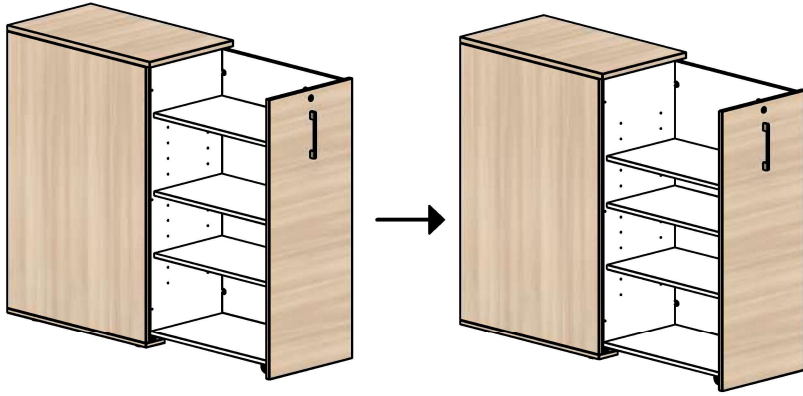
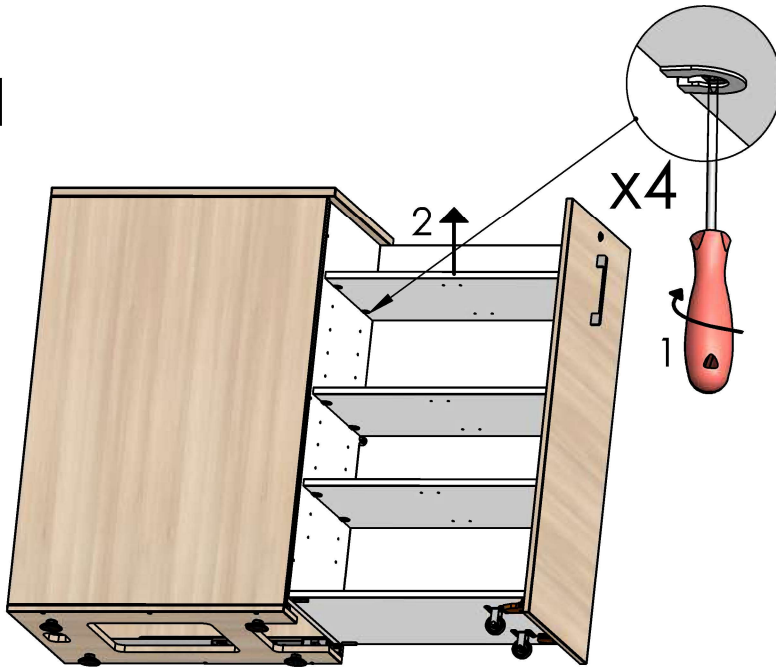


TOWER

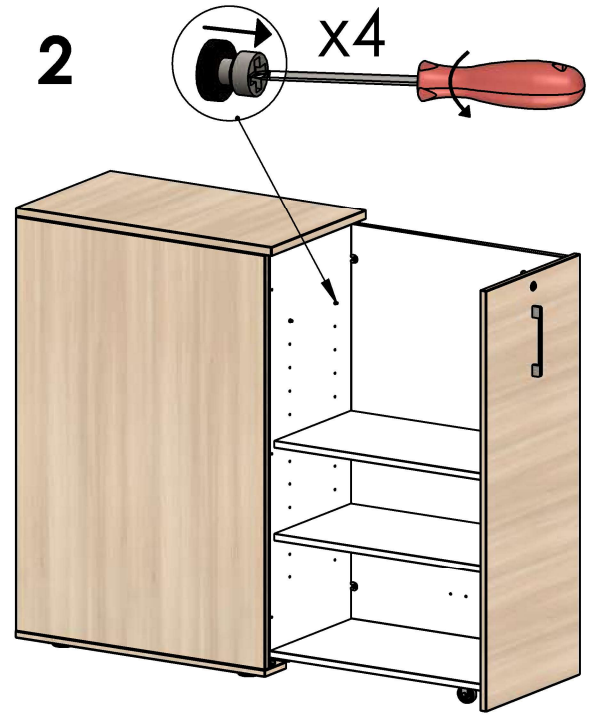
8"



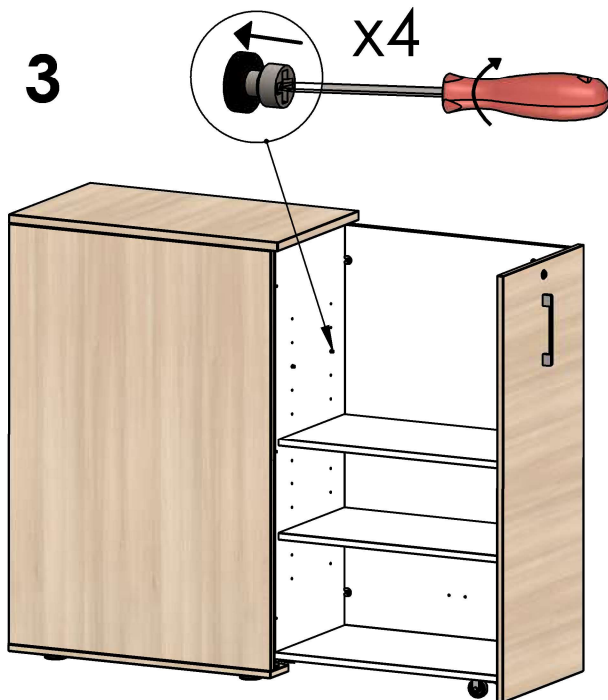
1



2



3



4

